

IR-AC Installation Guide

IR to IR Adapter Cable
Rev 170925

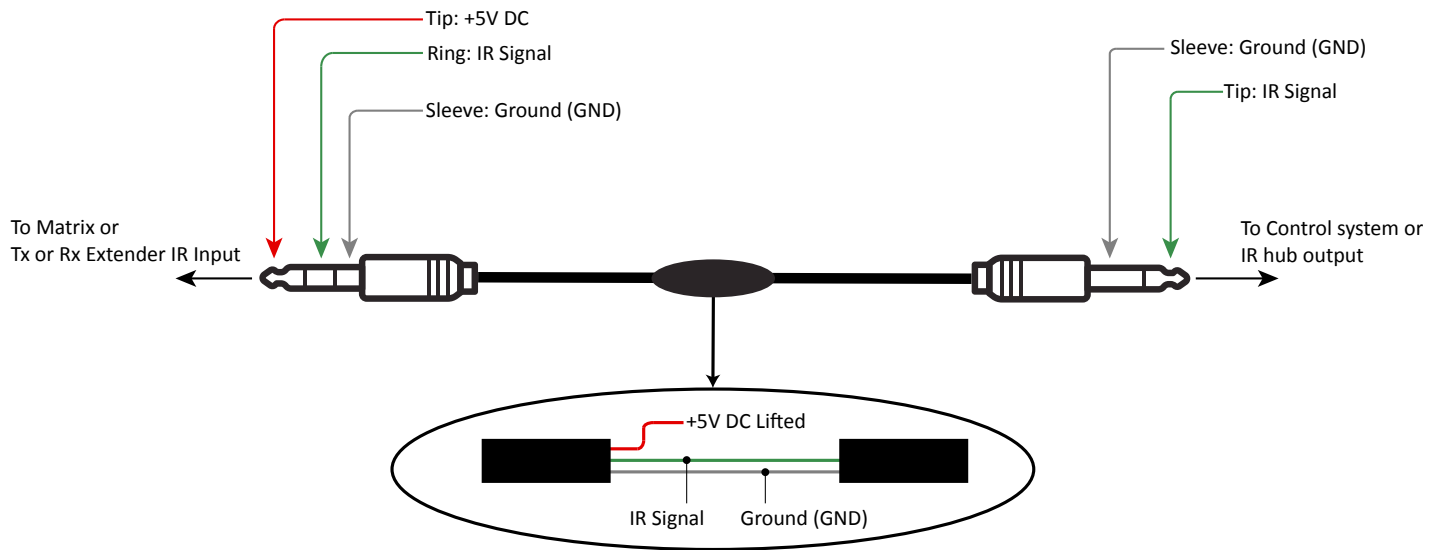
The Intelix IR-AC allows direct IR to IR connections between devices. The IR IN (TRS) connector is compatible with an IR input which provides +5V DC to the tip of the connector. The IR-AC allows direct connection between a third party control system and an Intelix or DigitaLinx extender. The IR-AC will also allow daisy-chaining IR signals between Intelix and DigitaLinx extenders.



Instructions

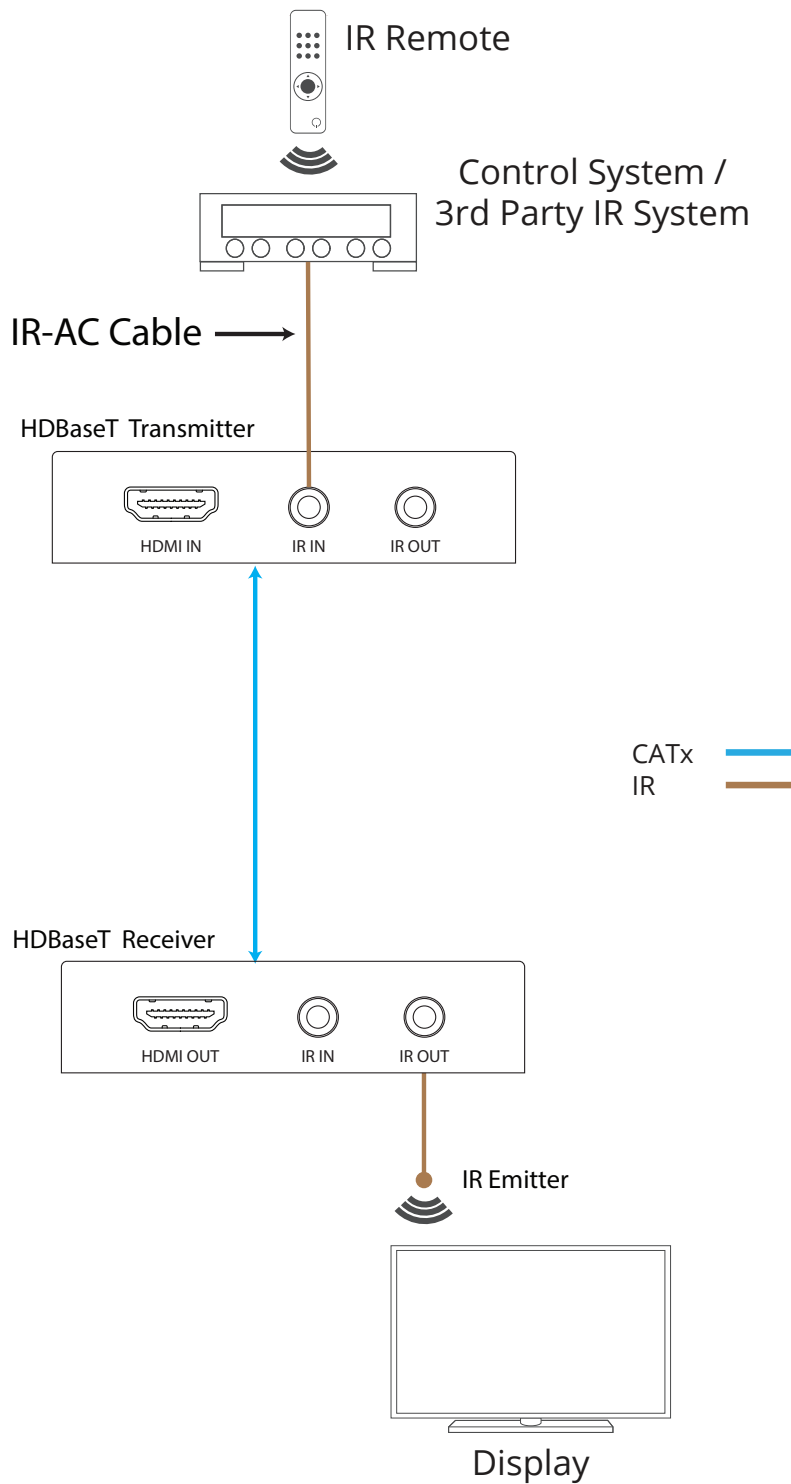
1. Power off all devices which will be connected with the IR-AC.
2. Insert the end labeled IR IN (TRS connector) into the IR input of the IR receiving device which provides +5V DC to the tip of the IR receiver.
3. Insert the end labeled IR OUT (TS connector) into the IR output of the IR transmitting device (control system, 3rd party IR circuit). The tip of the TS connector is the IR signal, the sleeve is GROUND.
4. Power on all devices.

Cable Pinout / Explanation



Note: Voltage on Tip from RX may be differnt for non Liberty Devices

System Diagram Example



Thank you for your purchase.

If you have any product issues please contact technical support by phone at 800-530-8998 or by email at supportlibav@libav.com.

Intelix is a brand of:



LIBERTY
AV SOLUTIONS

A SUBSIDIARY OF WESCO DISTRIBUTION, INC.

11675 Ridgeline Drive
Colorado Springs, Colorado
80921 USA
Phone: 719-260-0061
Fax: 719-260-0075
Toll-Free: 800-530-8998